

## E220S Roof fan + installation set



Usage: Roof fan installed on the top of an air conduit or silencer. An installation set for a flat surface is included.

Dimensions: Duct size Ø 160 mm, (installation set 300 x 300 mm, installation area must be at least the same size).

Contents: Roof fan, installation set, screws, Installation, operating and maintenance instructions.

The S-series roof fans and exhaust vents are designed to be installed in the ventilation shaft, onto a silencer or in or other horizontal surface. Thus, they are also suitable for gently sloping roofs. The S-roof fans and S-exhaust vents are used, for example, in blocks of flats and terraced houses, when flat-specific ventilation is required. The S-series roof fan can also be used for modifying an old natural ventilation system into a mechanical one during renovation.



Color	Black
EAN Code	6410457375028
Product code	737502
LVI Code	7820227
Color Code RR	RR33
Color Code RAL	RAL9005
Delivery	Stock
Gross weight	4.7087
Net Weight	4.2421
Duct size	160
Capacitor	2 µF
Current	0,39 A
Fan Type	AC
Power	88 W
Rotation Speed	2100 rpm
Voltage	230V/50Hz

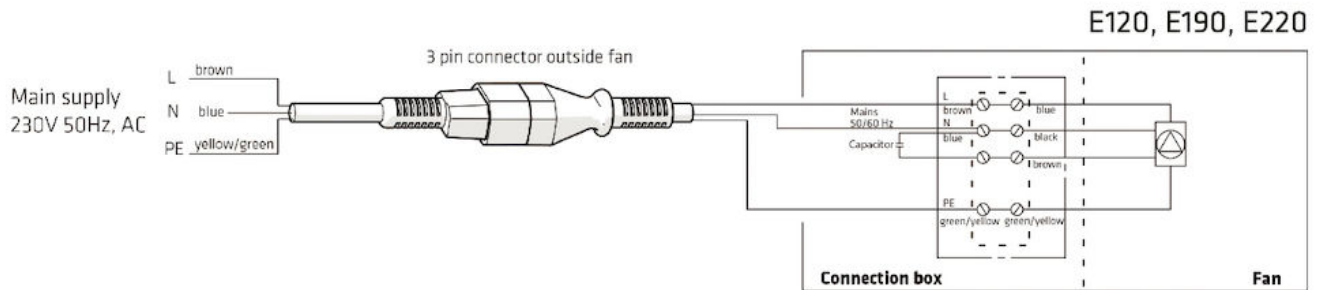
› **VILPE.COM**

SK Tuote Oy  
Kauppatie 9, FI-65610 Mustasaari  
Telephone +358 20 123 3200

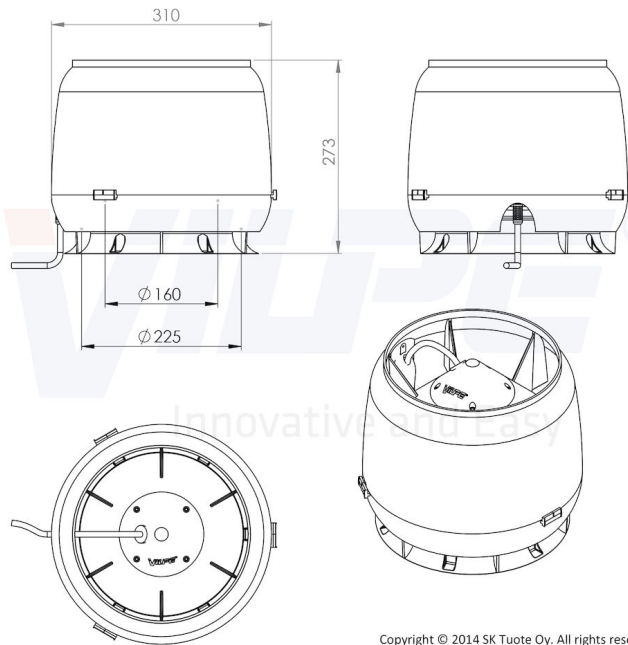
Sales & Technical Support | FI +358 20 123 3233 | EN +358 20 123 3222 | RU +358 20 123 3290 | SE +46 70 511 2020 | PL +48 71 740 2623  
myynti@sktuote.fi | sales@sktuote.fi

Page: 1  
08.06.2017

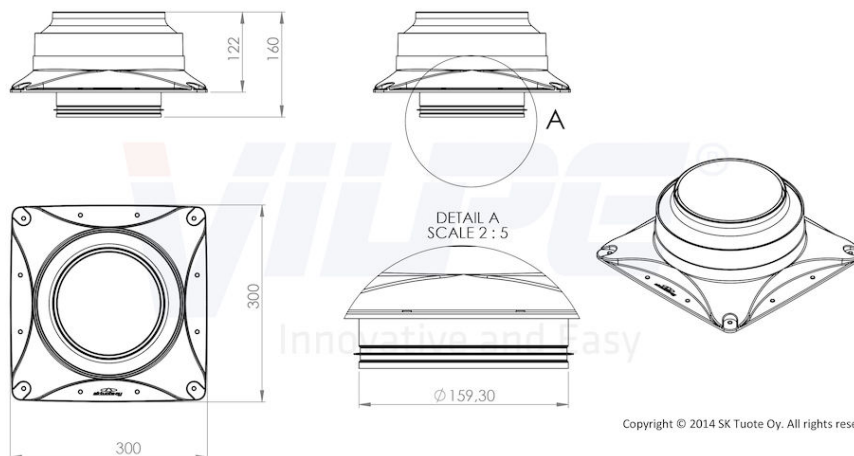
## E220S Roof fan + installation set



## E220S Roof fan + installation set



Copyright © 2014 SK Tuote Oy. All rights reserved.



Copyright © 2014 SK Tuote Oy. All rights reserved.

[VILPE.COM](http://VILPE.COM)

SK Tuote Oy  
Kauppatie 9, FI-65610 Mustasaari  
Telephone +358 20 123 3200

Sales & Technical Support | FI +358 20 123 3233 | EN +358 20 123 3222 | RU +358 20 123 3290 | SE +46 70 511 2020 | PL +48 71 740 2623  
myynti@sktuote.fi | sales@sktuote.fi

Page: 3  
08.06.2017